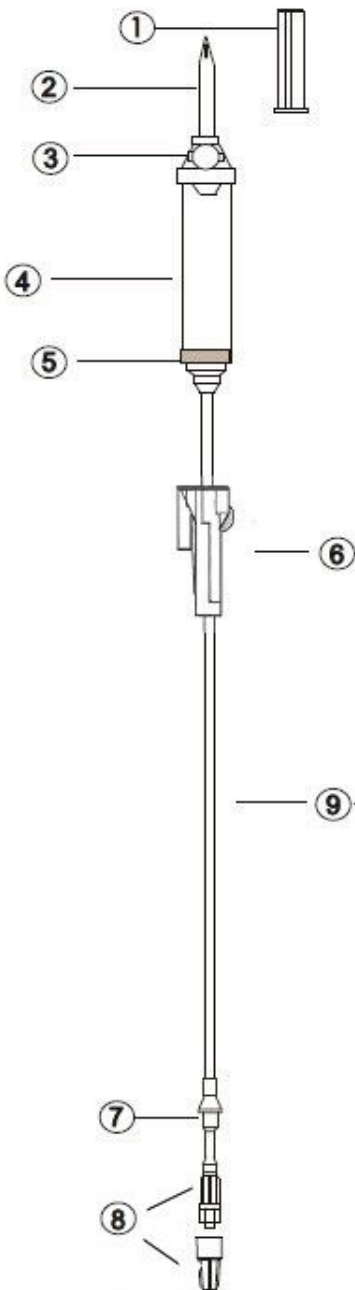


# Infusion set REF:JSM1002

- ABS spike with air-vent,
- Big drip chamber 62mm
- Filter ( 15 μ )
- 20 Drop/ml
- Safety roll clamp
- Latex free bulb
- Luer lock connector with cap
- Tube 150cm
- Paper peel package
- 25pcs/Bag,100pcs/carton,
- Carton size:41x23.5x29.5cm

- Pyrogen free
- Latex free
- For single use
- ETO sterilized



N°	Name	Material
1	Protective cap	PE
2	Vented spike	ABS
3	Air inlet	PE+PTFE
4	Drip chamber	PVC
5	Fluid filter	ABS & Nylon
6	Roller clamp	ABS
7	Latex free bulb	Latex free
8	Male LL with cap	Transparent ABS
9	Tube 3x4.1x1500mm	PVC

